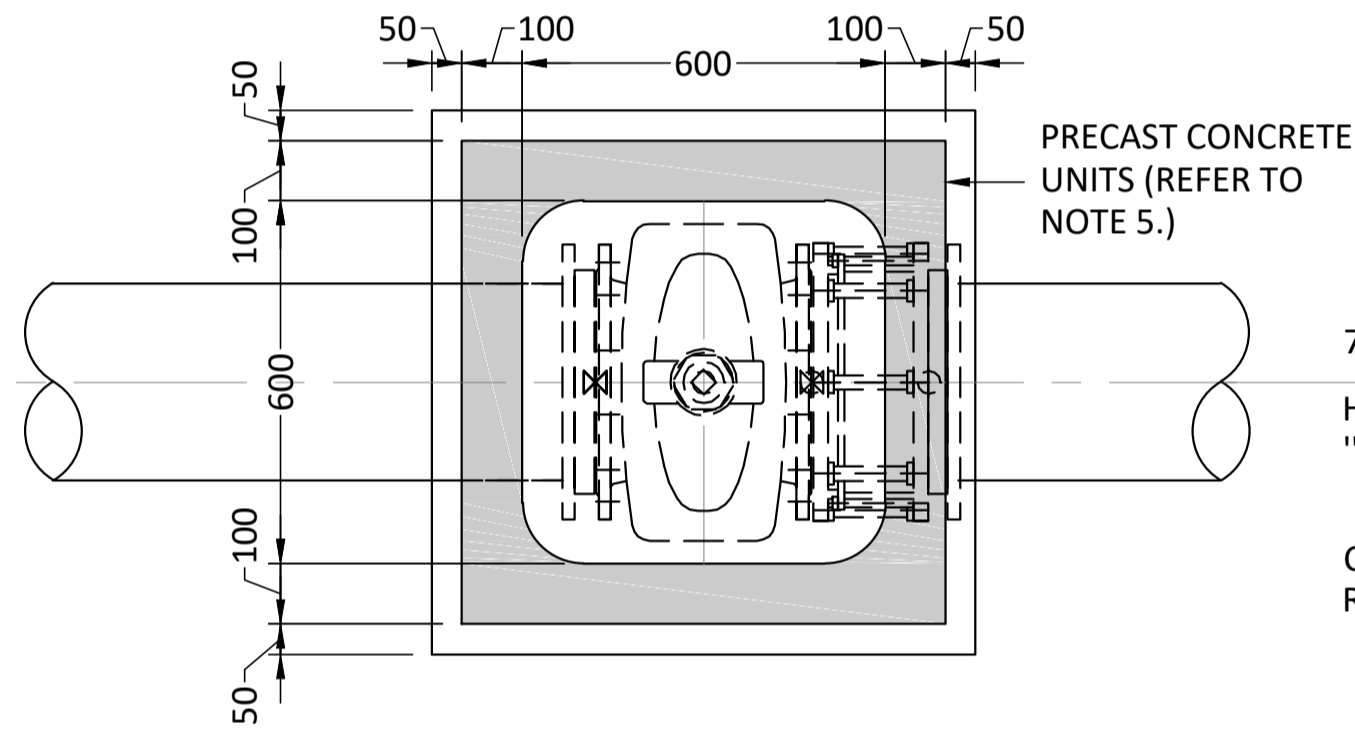
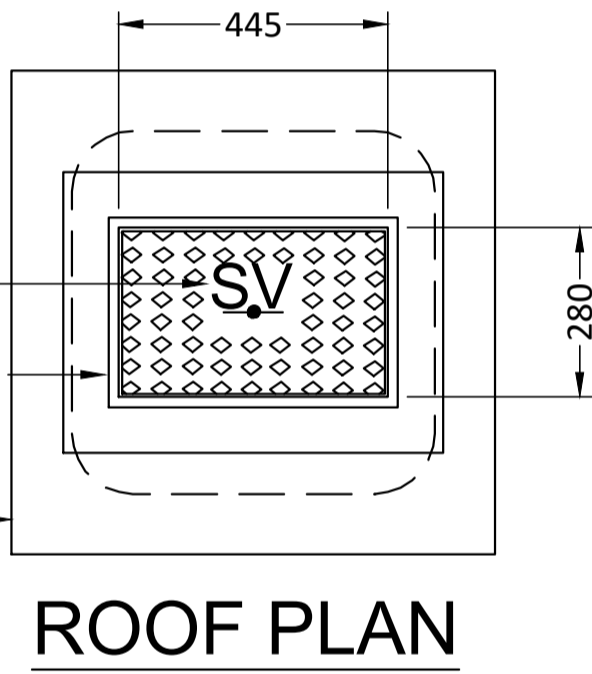


ALTERNATIVE INTERNAL PLAN DIMENSIONS OF 450 x 600mm & 450 x 450mm MAY BE ALLOWED SUBJECT TO IRISH WATER APPROVAL

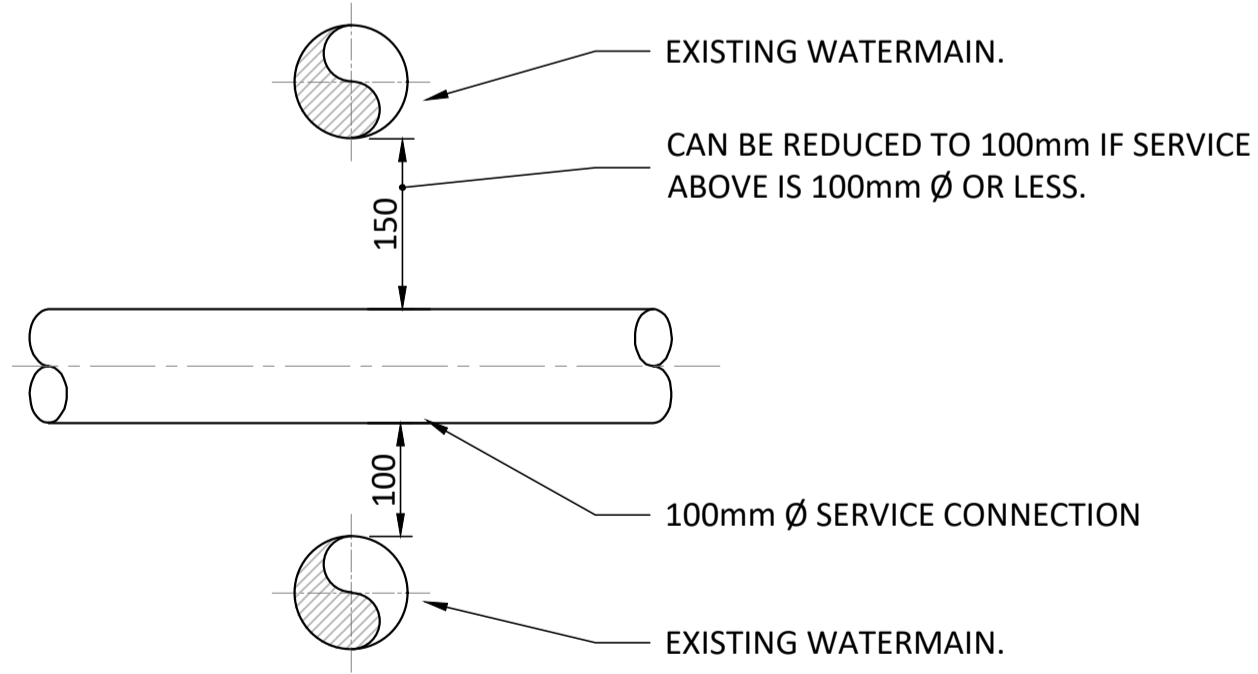


SLUICE VALVE CHAMBER FLOOR PLAN

SECTION

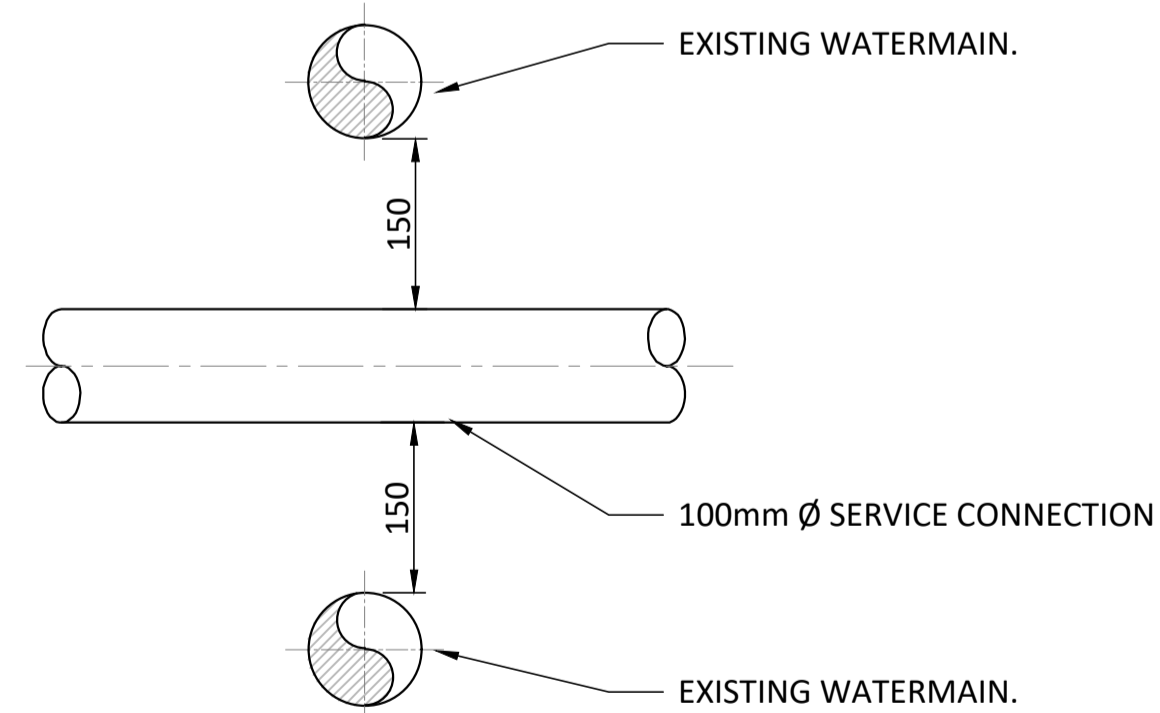


ROOF PLAN



VERTICAL SEPARATION REQUIRED BETWEEN 100mm Ø SERVICE CONNECTIONS AND OTHER IRISH WATER SERVICES AT CROSSINGS IN NON-TRAFFICKED GREEN AREAS, VERGE AND FOOTPATHS

** SEPARATION DISTANCES FOR WASTEWATER SERVICE CONNECTION TO OTHER UTILITY SERVICES WILL BE AS SHOWN, AS A MINIMUM, AND MAY BE INCREASED IF REQUIRED BY THE OTHER UTILITY COMPANY.



VERTICAL SEPARATION REQUIRED BETWEEN 100mm Ø SERVICE CONNECTIONS AND OTHER IRISH WATER SERVICES AT CROSSINGS IN TRAFFICKED AREAS/ROADS

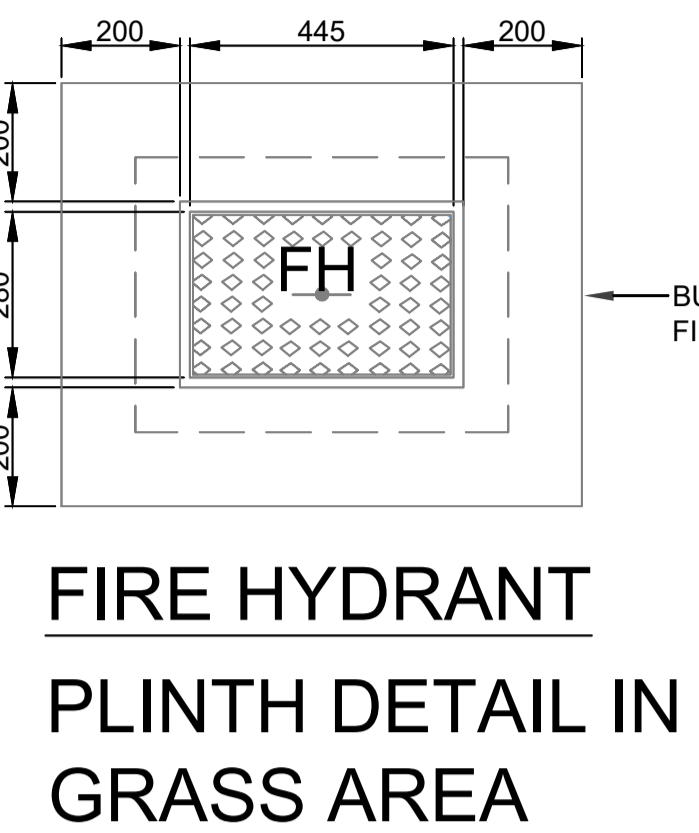
** SEPARATION DISTANCES FOR WASTEWATER SERVICE CONNECTION TO OTHER UTILITY SERVICES WILL BE AS SHOWN, AS A MINIMUM, AND MAY BE INCREASED IF REQUIRED BY THE OTHER UTILITY COMPANY.

CONNECTION TO EXISTING SERVICES

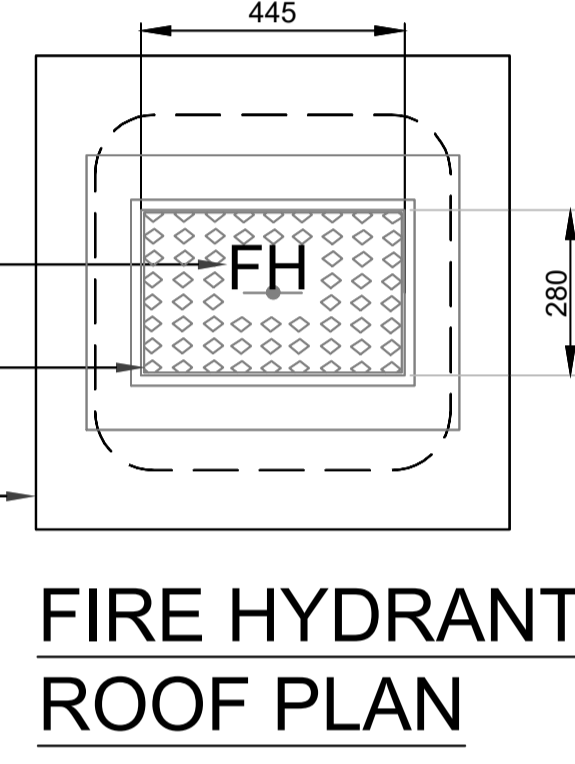
- FOR SETTING OUT REFER TO ARCHITECT'S DRAWINGS.
- THIS DRAWING TO BE READ IN CONJUNCTION WITH ALL OTHER ARCHITECTURAL AND ENGINEERING DRAWINGS AND ALL OTHER RELEVANT DRAWINGS AND SPECIFICATIONS.
- DO NOT SCALE THIS DRAWING. USE FIGURED DIMENSIONS ONLY.
- NO PART OF THIS DOCUMENT MAY BE REPRODUCED OR TRANSMITTED IN ANY FORM OR STORED IN ANY RETRIEVAL SYSTEM OF ANY NATURE WITHOUT THE WRITTEN PERMISSION OF O'CONNOR SUTTON CRONIN AS COPYRIGHT HOLDER EXCEPT AS AGREED FOR USE ON THE PROJECT FOR WHICH THE DOCUMENT WAS ORIGINALLY ISSUED.

Rev No.	Date	Revision Note	Drn by	Chkd by
P01	15/09/21	SUITABLE FOR INFORMATION	RM	SMcG
P02	04/10/21	SUITABLE FOR STAGE APPROVAL	RM	DR

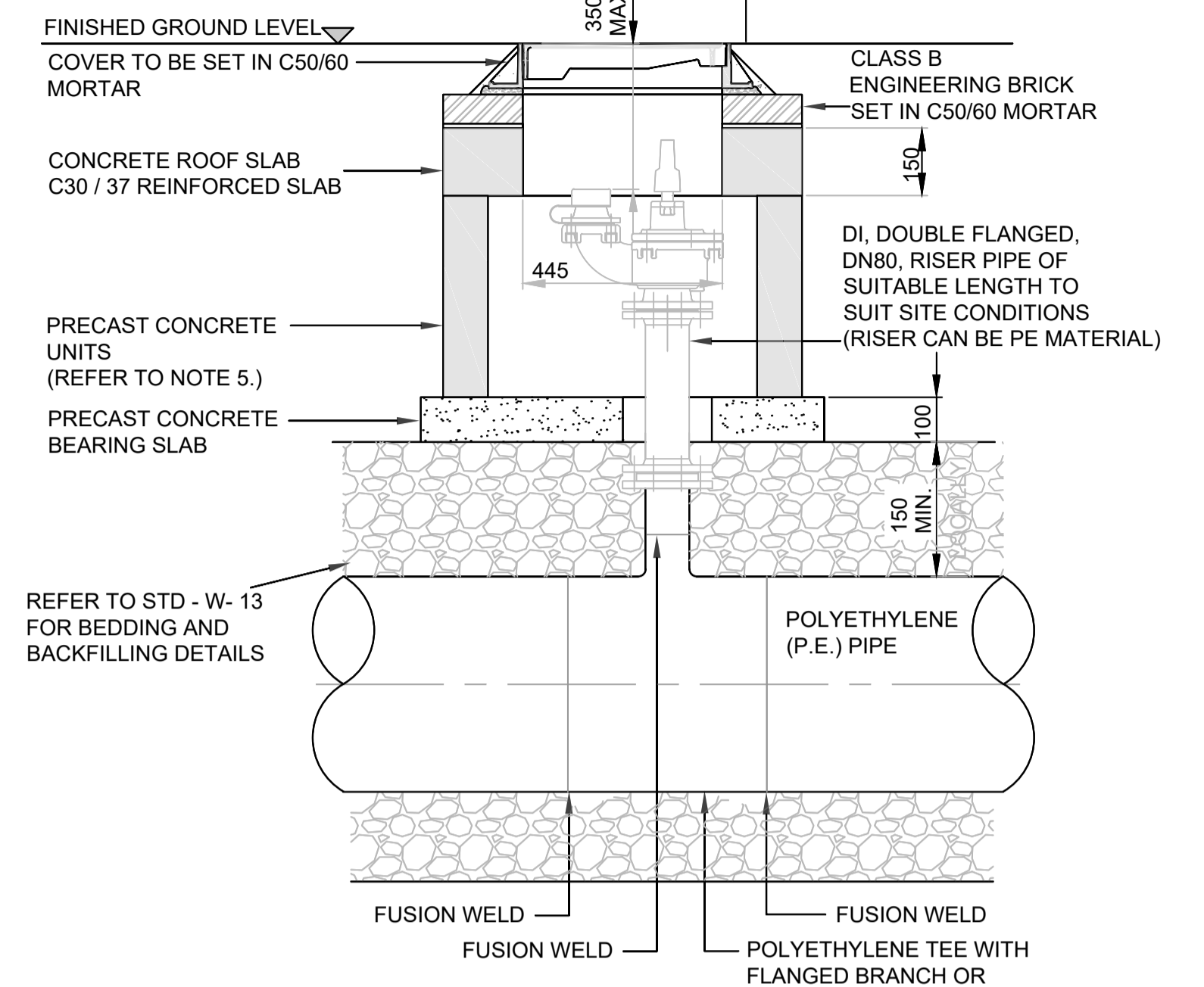
Rev No.	Date	Revision Note	Drn by	Chkd by



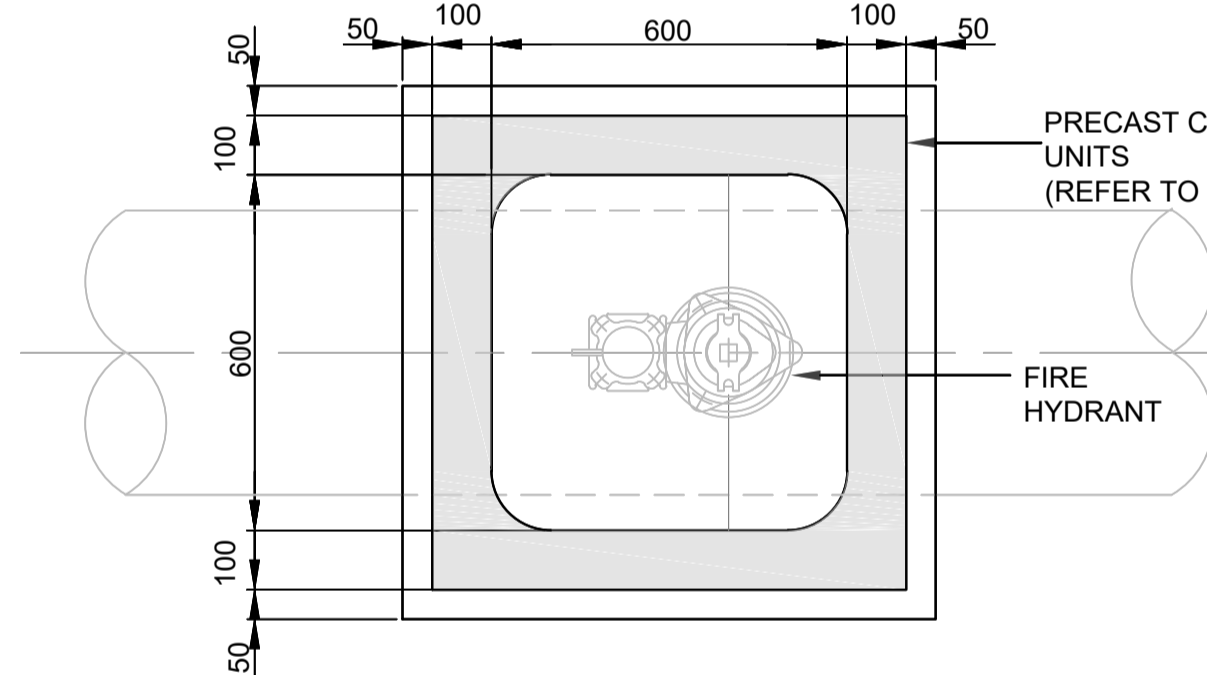
FIRE HYDRANT PLINTH DETAIL IN GRASS AREA



FIRE HYDRANT ROOF PLAN



FIRE HYDRANT SECTION

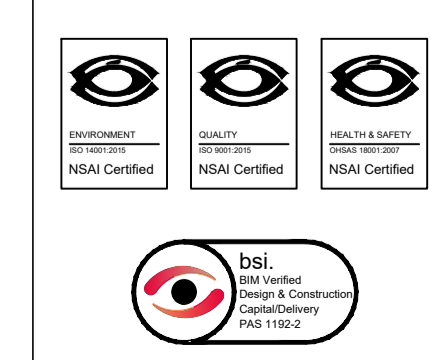


FIRE HYDRANT FLOOR PLAN (PRECAST CONCRETE CONSTRUCTION)

PLANNING DRAWING.
NOT FOR CONSTRUCTION.
ALL LEVELS GIVEN ARE RELATIVE TO ORDENANCE DATUM.
THIS DRAWING HAS BEEN ISSUED FOR INFORMATION PURPOSES ONLY AND MUST NOT BE USED FOR CONSTRUCTION UNDER ANY CIRCUMSTANCES

- SLUICE VALVE NOTES:**
- SLUICE VALVE CHAMBERS SHALL BE COVERED WITH APPROVED HEAVY DUTY METAL COVERS TO IS 261 OR BS 5834. COVER AND FRAME SHALL BE SUITABLE FOR ROAD AND TRAFFIC CONDITIONS AND IS SUBJECT TO THE APPROVAL OF IRISH WATER.
 - SLUICE VALVES SHALL BE RESILIENT SEATED AND SHALL COMPLY WITH BS 5163-1, BS 5163-2, IS EN 1074-1, IS EN 1074-2, OR EQUIVALENT E.U. SPECIFICATIONS.
 - ALL SLUICE VALVES SHALL BE ANTI-CLOCKWISE CLOSING.
 - VALVE CHAMBER TO BE CONSTRUCTED OF PRECAST CONCRETE UNITS OR HIGH DENSITY BLOCKWORK. ALTERNATIVELY PROPRIETARY PREFABRICATED CHAMBER UNITS MAY ALSO BE USED, SUBJECT TO APPROVAL FROM IRISH WATER.

- HYDRANT NOTES:**
- HYDRANT CHAMBERS SHALL BE COVERED WITH APPROVED HEAVY DUTY METAL COVERS TO IS 261 OR BS 5834 COVER AND FRAME SHALL BE SUITABLE FOR ROAD AND TRAFFIC CONDITIONS AND IS SUBJECT TO THE APPROVAL OF IRISH WATER.
 - ALL HYDRANTS, SURFACE BOX FRAMES & COVERS SHALL COMPLY WITH THE RELEVANT PROVISIONS OF IS EN 14339, IS EN 1074-6 & BS 750. FIRE HYDRANTS SHALL BE TYPE 2. THE HYDRANT INLET SHALL BE 80mm DIAMETER WITH PN16.
 - ALL HYDRANTS SHALL BE CLOCKWISE CLOSING.
 - HYDRANT CHAMBER TO BE CONSTRUCTED OF PRECAST CONCRETE UNITS OR HIGH DENSITY BLOCKWORK. ALTERNATIVELY PROPRIETARY PREFABRICATED CHAMBER UNITS MAY ALSO BE USED, SUBJECT TO APPROVAL FROM IRISH WATER.



Head Office,
9 Prussia Street,
Dublin 7,
D07 KT57

TEL +353 (0)1 8682000

e: contactus@ocsc.ie
w: www.ocsc.ie

Dublin | London | Belfast | Galway | Cork



Client:	BEO PROPERTIES LIMITED							
Project:	RATOATH SOUTH SHD							
Title:	WATERMAIN DETAILS SHEET 1 OF 4							
Code	Originator	Zone	Level	Type	Role	Number	Status	Revision
L308	OCSC	XX	XX	DR	C	0560	S4	P02
Date:	01.04.20 Scale: SHWN @ A1 Drn by: RM Chkd by: DR Aprvd by: AH							